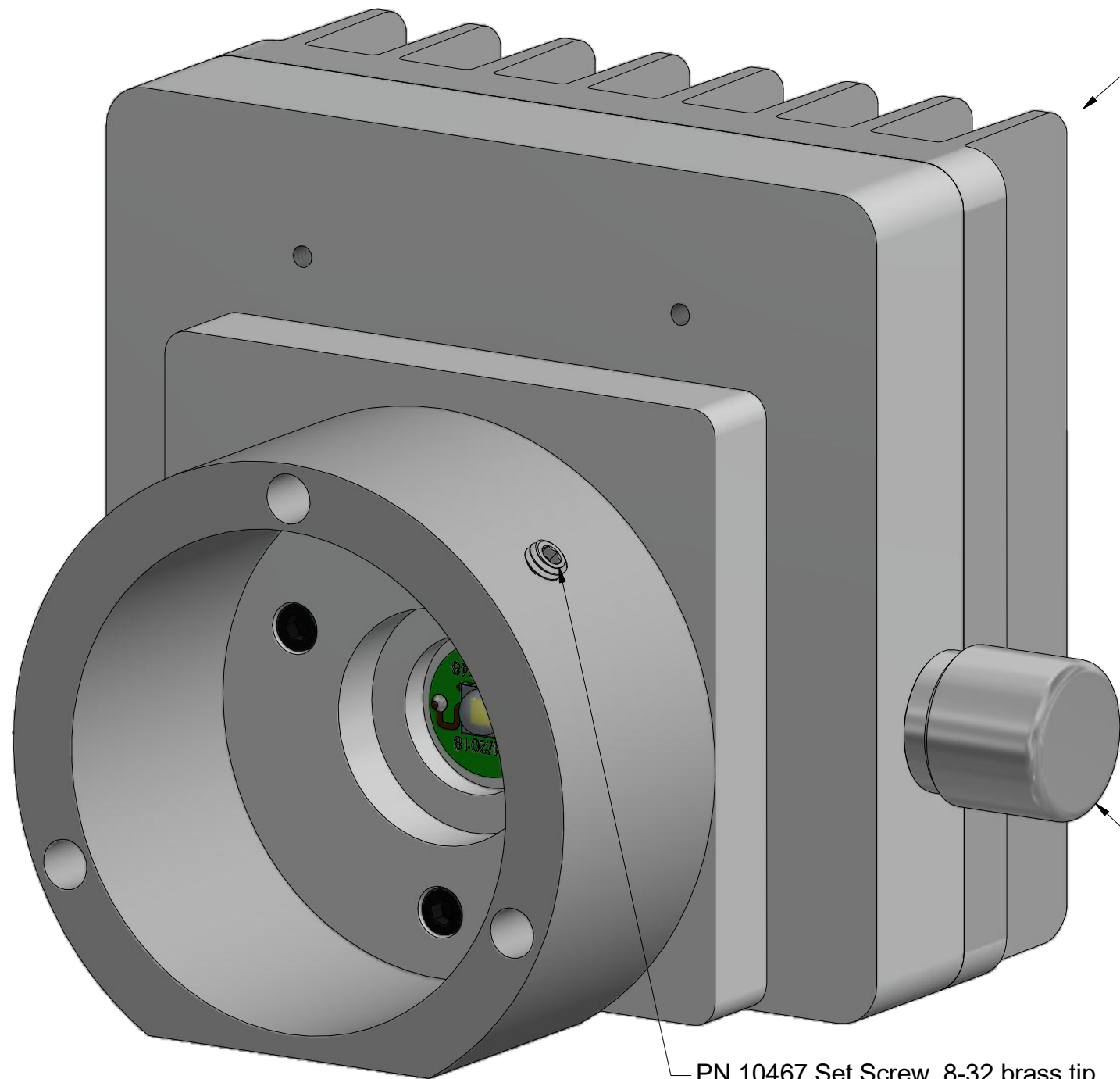


Nanodyne Replacement Illuminator for Nikon Diaphot: Included Items and Installation Instructions

Additional Items Included But Not Shown:

PN 10490 Hex Key 5/64 (for 8-32 set screw)



PN 10463 Nikon Diaphot Illuminator Assy

PN 10467 Set Screw 8-32 brass tip (for mounting the illuminator)

Installation:

Loosen the set screw holding the old illuminator to the collector lens assembly of the microscope and remove the old illuminator.

Slip the Nanodyne illuminator onto the collector lens assembly of the microscope and tighten the set screw using the 5/64 hex key provided.

Plug in the power supply and operate via the adjustment pot.

The illuminator is fully off when the adjustment pot is turned counter clockwise. There may or may not be a click in the off position. Do not force it.

Note that the illuminator mounted adjustment potentiometer is standard on this unit. Ask about a remote adjustment pot if desired.

Top adjust is also an option.



PN 11163 Power Supply 5V 2.1A and PN 10734 Power Cable 1.35mm ID/3.5mm OD x USB A 6 ft.

The illuminator may be powered by plugging the cable into the power supply provided, or into a suitable USB port on a computer or other device.

Power supplies are subject to substitution without notice due to availability issues and changes in regulations.



PN 10736 Rubber plug to block unused AC power receptacle.

Wayne Bonin	3/4/2019	
PN 10794 Nikon Diaphot Illuminator System		REV 4
SHEET 1 OF 1		